

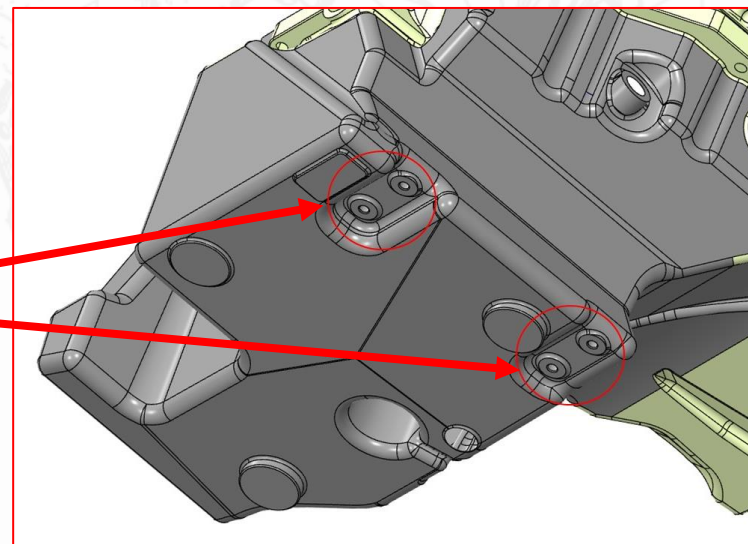
SB23020059

Retrofits MB Atego OM934/OM936 with N7C option



Oil sump fixing holes evolution:

Before M8 → Now M10



If your vehicle was manufactured before 2022 and has M8 holes, ask for the corresponding retrofit: :

- KA20085007 → RETROFIT ref. 1120995007
- KB14078061 → RETROFIT ref. 1121998061
- KB14038057 → RETROFIT ref. 1121998057
- KB20028096 → RETROFIT ref. 1121998096
- KC14040352 → RETROFIT ref. 1121998057
- KB14058058 → RETROFIT ref. 1121990356